



Lake Shore Hexagonal Cocktail Tables

Solid Wood, Sustainable and Made in the U.S.A.

© John Strauss Furniture Design 2019

Shown: LS1506-40-M

Wood: Walnut

Finish: Flagstaff

(2) Metal Legs, Transparent Black Powder

LS1507-32-M

Wood: Maple

Finish: True White

(4) Metal Legs, Transparent Black Powder

LS1506-40-W

40" Hexagonal H: 16"

(4) Metal Legs, Walnut/Stained

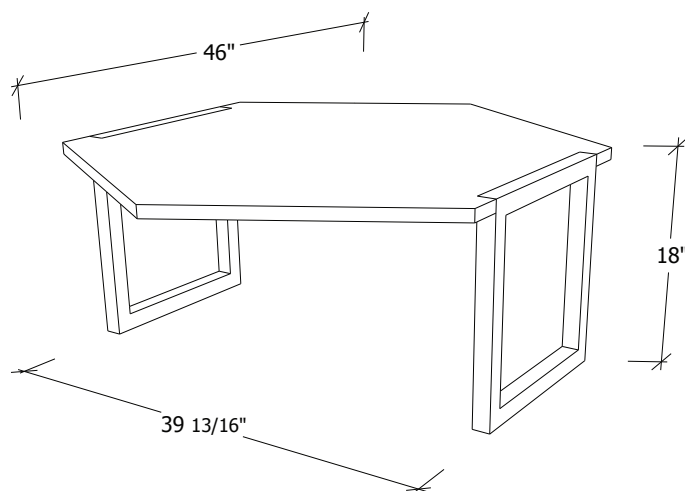
LS1507-32-M

32" Hexagonal H: 16"

(4) Metal Legs, Maple/Stained

Can be ordered together or separately.

Custom finish, size, and configuration changes available upon request.



Lake Shore Collection

