



# Holden Bar Cabinet

ARMOIRE

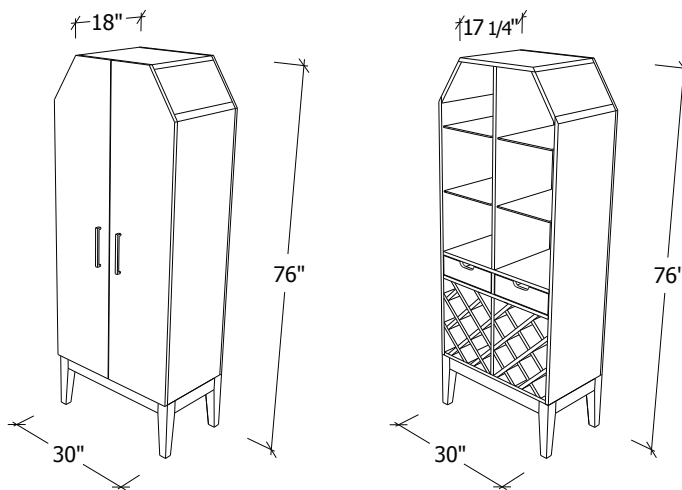
Solid Wood, Sustainable and Made in the U.S.A.  
© John Strauss Furniture Design 2019

Shown: P1001-30-Leaf  
Wood: Maple  
Finish: San Francisco  
Finish Interior: Persimmon  
Decoration: Non-standard, Copper Leaves

W: 30"      D:18"      H:76"H

P1001-30-SL (lacquer interior)  
P1001-30-SS (stain inside/outside)  
P1001-30-SL-Leaf

*Custom finish, size, and configuration changes available upon request.*



Protagonist Collection

